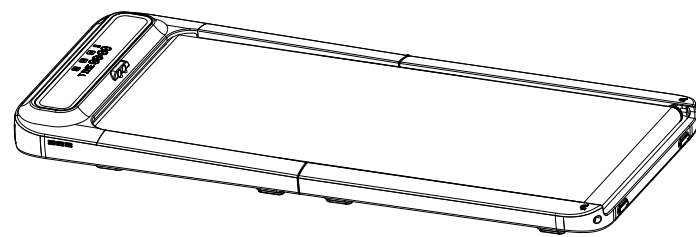




Walk it™

E18080 Under-Desk Folding Treadmill - Instruction Manual -



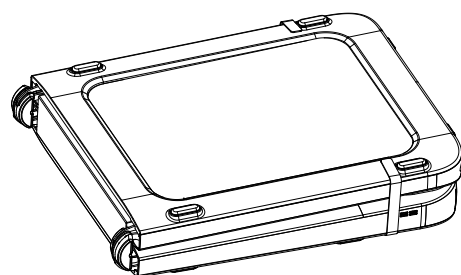
Thanks for purchasing FT01 Under-Desk Folding Treadmill!

At present, brisk walking is an internationally popular aerobic fitness exercise, which is highly evaluated by the medical and sports circles. It is the most effective and scientific way to keep one's physical and mental health. Therefore, brisk walking fitness is more and more popular among people. Loctek's Under-Desk Folding Treadmill can make your scientific fitness plan become a reality, you will have a healthier body to create a brilliant life.

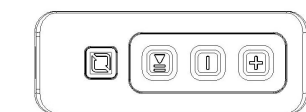
Attention: This appliance can be used by children aged from 12 years and above and persons with reduced physical, sensory or mental capabilities or lack of experience and knowledge if they have been given supervision or instruction concerning use of the appliance in a safe way and understand the hazards involved. Children shall not play with the appliance. Cleaning and user maintenance shall not be made by children without supervision. Stop using the machine for 10 minutes after continuous working of 1 hour. Elderly people are not allowed to use it. Keep children, elderly people, invalids, or disabled persons away from machine while in use. This radio equipment operates with the following frequency bands and maximum radio-frequency power: Folding Treadmill Bluetooth 2400 — 2483.5MHz: 7dBm Remote control Bluetooth 2400 — 2483.5MHz: 10dBm

Specification

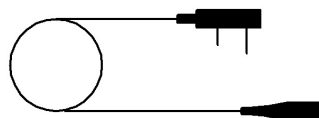
Unfolded Size	1445*11.5*59 (CM)
Folded Size	77*17*59 (CM)
Walking Area	120*46 (CM)
Gross Weight	31.5KG
Net Weight	27.5KG
Weight Capacity	100KG
Applicable Age	From 12 years old
Applicable Height	Unlimited
Minimum Speed	1KM/H
Maximum Speed	6KM/H
Rated Power	550W super silent brushless DC motor
Nominal Voltage	220V~240V
Sport Mode	Standby Mode Fixed Speed Mode Auto Mode



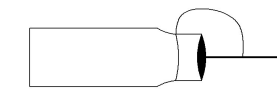
Main Engine



Remote Control



Power Cable



Lubricating Oil



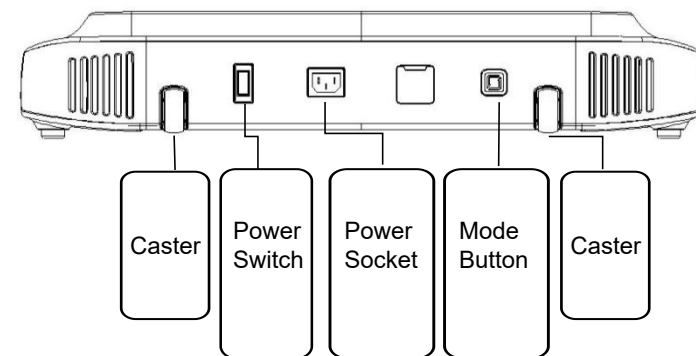
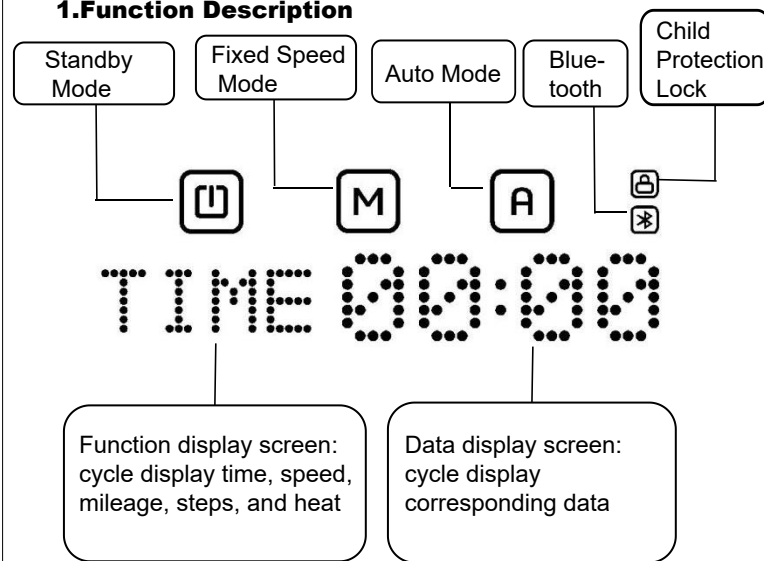
Wrench



Instruction Manual

Product Overview & Usage

1.Function Description



1.1 Standby Mode

When Standby Mode Light is on Motor and sensor stop responding to the fixed speed mode, and the machine will automatically enter standby mode after it stops running for 15S. Press any button to exit the mode.

1.2 Fixed Speed Mode



When fixed speed mode is on Speed can be controlled by remote control or APP.

1.3 Auto Mode



When Auto Mode Light is on Through the intelligent algorithm control, speed will be adjusted according to the user's pace.



When Child Protection Light is on The child protection lock works, which can be unlocked by pressing the button at the front of the machine.

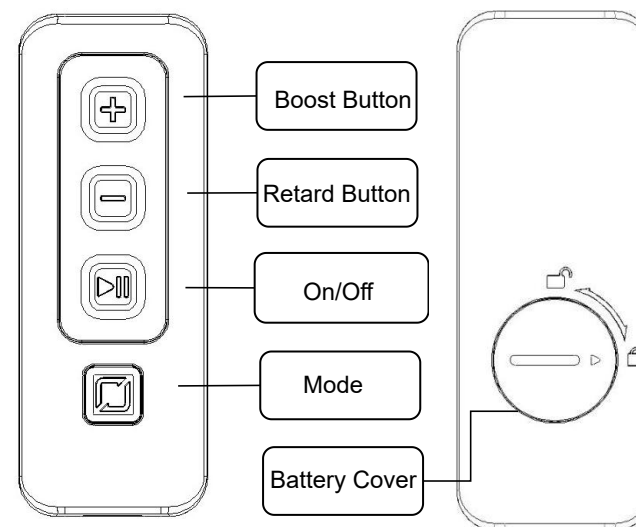
After entering into the standby mode for 3 minutes, the child protection lock goes on, manually press the "Mode" button on the machine/remote control to exit the child protection.



When Bluetooth Light is on The APP has been connected, and the speed can be controlled through the APP. When Blue-tooth Light fliers

APP is not connected, please connect to Bluetooth through APP Settings.

2. Instruction of Remote Control



Boost Button Speed up treadmill, increase 0.5km/h per press;



Retard Button Slow down treadmill, decrease 0.5km/h per press;



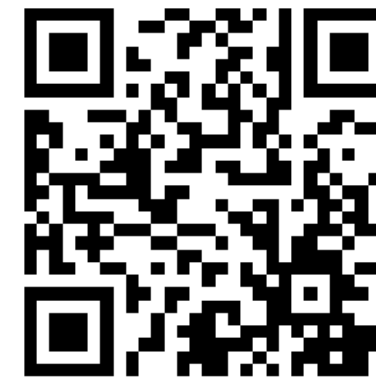
On/Off Button Turn on/off the treadmill.



Mode Short press to switch motion mode; Long press to enter or remove child lock

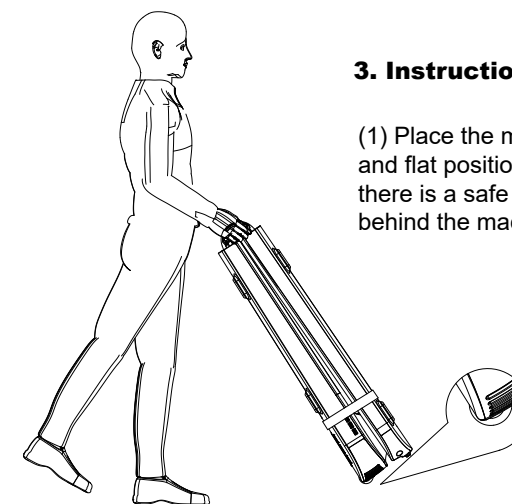
1.1. Please pair the remote control for the first time: close to the treadmill and turn it on. Press and hold the "+" and "-" buttons on the remote control for more than 3 seconds. When you hear the sound "beep", it means the pairing is completed. The above steps should be completed within 15 seconds after turning on the treadmill, or you need to turn it off and on again to try again.

1.2. Please pair the APP for the first time: First open the mobile phone bluetooth and then open the APP. Press "+" and select treadmill. The APP page shows the key pairing process for the first time. At this time, the Bluetooth indicator light of the walking machine flashes rapidly. Press the button on the top of the machine, then the indicator light is on and steady. (Everytime you change a phone or reinstall the APP, please pair it again.)



2. Both the mobile phone APP and the bluetooth remote control can be activated in a static state. Whoever activates first controls the machine. The one that activates first can control the speed of the machine during exercise. But both of them can stop the treadmill at the same time to prevent emergencies.

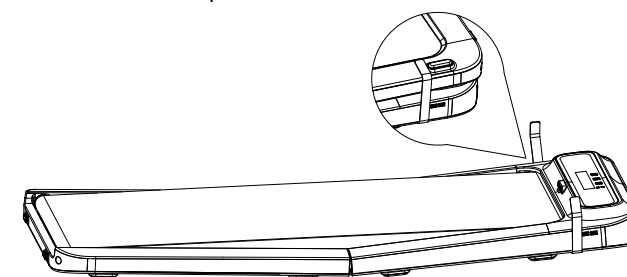
3. The longest single run time of the product is 1 hour and then it will stop automatically. At that time, the machine will display "REST TIME". Press any button on the controller to perform the next round of exercise.



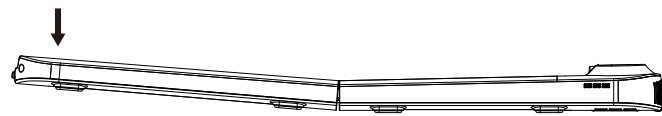
3. Instruction

(1) Place the machine in an open and flat position, and ensure that there is a safe area of 800x500mm behind the machine.

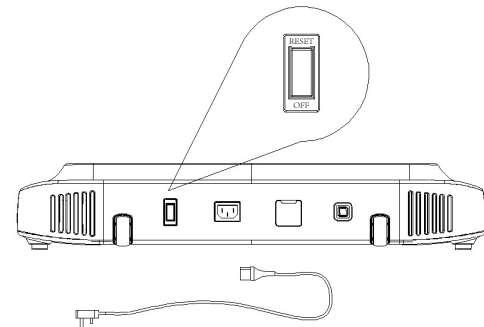
(2) Untie the band of treadmill, expand the treadmill, and check whether the walking belt is centered. If there is deviation, adjust the belt to the middle position.



(3) After the walking belt is adjusted, fully expanded and pressed it until the treadmill is completely flat.

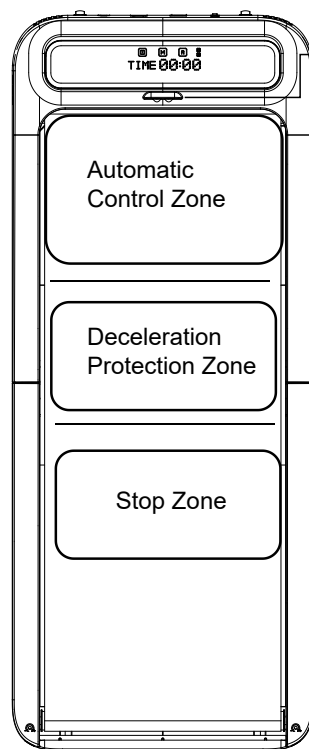


(4) Connect the power supply and turn on the switch.



(5) Download Loctek remote control APP, and complete the installation and registration steps.

4. Instruction of Automatic Control & Safety Protection



Ultrasonic Radar

- The automatic mode is advanced mode, which is difficult and can be used without remote control.
- This mode adopts the automatic control according to step frequency. When the user is in the automatic control zone, this treadmill will adjust the speed according to the user's pace.
- When the machine detects that the user is in the safety protection zone, it will force the speed down to protect the user.
- When the machine detects that the user is in the stop zone, the device will stop to prevent the user from falling off the treadmill.

Safety protection: The ultrasonic radar on the head of the machine detects the area where the user is located in real time. According to different areas, the machine will start the safety protection function, slow down or even stop. In the "M" mode, the protection function can be turned off and turned on. The operation method: long press the mode and "+" button at the same time, the machine will display "SAFE ON*" to open state, and "SAFE OFF" to close state. It is "SAFE OFF" for factory setting. Please adjust it by yourself if you need.

Precautions and Maintenance

1. Save the Manual

Before you use the product, be sure to read all the operating rules and storage this manual for reference.

The contents of this manual have been carefully checked. In case of any misprint or misunderstanding, Loctek reserves the right of final interpretation.

Product images and description only for reference purpose, so please see the subject produce.

If there are technical product improvements, they will be compiled into the new version of the manual without prior notice.

2. In order to avoid fire, electric shock or injury to yourself and others, please follow the following rules:

- If you feel chest tightness, nausea, dizziness or shortness of breath during exercise, stop exercising immediately and consult a fitness instructor.
 - Don't wear clothes that can be caught easily.
 - Please wear sports shoes to use this product. Barefoot or slipper sports are prohibited.
 - Do not jump on the product.
 - Keep the power cord away from hot items.
 - Do not stuff anything in crevices of the product.
 - Only one person can use the machine when it is running. No more than one person at the same time.
 - This machine is not allowed to be used by users who weigh more than 100 kg.
 - This product is suitable for home use. Do not use it for commercial use or lease.
 - Do not use this product in areas where temperature is not controlled (except for garages), such as porches, storerooms, bathrooms, parking spaces or outdoors. Warranty will not be ranted if you make any violation of this regulation.
 - Power off the machine before moving or folding.
 - When not using the machine, please turn off the power switch at the front of the walker and unplug the power plug of the machine.
 - Pregnant women are not allowed to use this product.
 - Other specific groups of people can only use this product if they are accompanied and safe.
 - Please use the product according to the instructions.
3. Clean the treadmill
Shut down and disconnect the power of the treadmill.

Wipe with 100% pure cotton cloth with a little detergent on top. Do not spray the detergent directly on the walking belt, or use acidic or corrosive detergent.

Wipe the main frame and display panel while cleaning the walking platform. Do not wipe under parts of the walking machine.

After using for a period of time, the tail cover or the ground may have dust or dirt, this is a normal phenomenon, timely cleaning them..

4. Lubricate the belt

Turn off and unplug the power cord of the treadmill, lift up the end of the walker, evenly daub the inside of the walking belt with silicone oil, and reconnect the treadmill. Keep it run at the speed of 4KM/H for about 20 seconds.

Lubricate the walking belt regularly, add silicon oil every 3 months, add 20 ml each time.

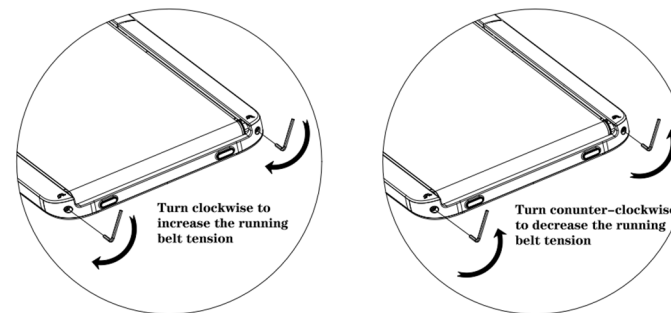
5. Adjust walking built

① Adjust the tension of the walking belt

The treadmill undergoes strict testing and debugging before shipment, but inevitably, after you use for a period of time, the belt will appear the phenomenon of insufficient tension, which may lead to slip. The main performance is: when the user pedal on the belt, the walking belt pause or the speed decreases dramatically. At this time, you need to take out the attached hexagon wrench #6. Tighten the bolt by running wrench clockwise as shown in the figure below. Tighten it 1/2 turn each time, and tighten both sides at the same time until the belt stops skidding.

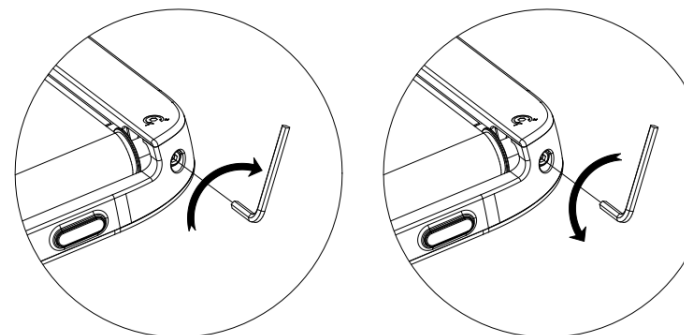
Note: (1) Both sides need to be tightened to the same extent and at the same time, otherwise the belt may be out of center. If the belt is out of center, it can be adjusted by referring to the method of "adjusting the walking belt" part.

(2) The belt shall not be too tight. Each time, the belt shall be adjusted to the extent of 1/2 lap, and then have a trail to see whether it will skid. If the belt is too tight, the motor may be overloaded and its service life may be shortened.



② Center the belt

If the belt is too far to the right: start the treadmill and adjust the speed to 6km/h, turn the screw which is located on the right side of belt 1/4 turn clockwise with the appropriate wrench, and wait for 2 minutes to observe the effect. If it is still to the right, continue to adjust until the belt is at the center, as shown below.



Inclined Right

Inclined Left

If the running belt is too far to the left: start the treadmill and adjust the speed to 6km/h. With the appropriate wrench, turn the screw which is located on the right side of belt 1/4 turn counterclockwise. Wait for 2 minutes and observe the effect. If it is still to the left, continue to adjust until the belt is at the center, as shown below.

Note: keep your fingers, clothes, and hair away from the belt as you adjust the center of the belt.

EU Declaration of Conformity

We, SONO SWEOP AB
Address: SONO SWEOP AB, BOX 196, 573 22 TRANAS, SWEDEN
declare under our sole responsibility that the product

Product Name: Walk It 2.0 (Under-Desk Folding Treadmill)
Model name: FT01
Software: V2.0
Accessories: NA

comply with the following directives and regulations:

2014/53/EU (The Radio Equipment Directive)

For the evaluation of the compliance with these Directives and Regulations, the following standards/requirements were applied:

Safety Article3.1(a)	EN 60335-1:2012+A11:2014+A13:2017+A1:2019+A14:2019+A2:2019+A15:2021 EN 62233:2008
EMC Article3.1(b)	EN 55014-1:2017/A11:2020, EN IEC 55014-1:2021 EN 55014-2:2015, EN IEC 55014-2:2021 EN 61000-3-2:2014, EN IEC 61000-3-2:2019/A1:2021 EN 61000-3-3:2013, EN 61000-3-3:2013/A1:2019 EN 301 489-1 V2.2.3:2019, EN 301 489-17 V3.2.4: 2020
Radio Article3.2	ETSI EN 300 328 V2.2.2 (2019-07)
Health Article3.1(a)	EN 50663:2017

Responsible for making this declaration is the:

Manufacturer Authorised representative established within the EU

Person responsible for making this declaration

Print name/Title: Andreas Nilsson COO

TRANAS, SWEDEN 15/6-2022

(Place) (Date)

[Signature]

(Signature)

Sweop
Box 196, Västra vägen 31, SE-573 22 TRANAS